

RENAISSANCE RUMFORD 1000



OWNER'S MANUAL

Keep these instructions for future use.

Dear Customer,

The Renaissance RUMFORD™ 1000 is the world's first certified clean burning open fireplace. It combines technology with elegance, allowing you to enjoy an open fire without compromising environmental quality.

We have designed your new fireplace to be easy to install, operate and maintain. It is in your best interest to become familiar with it.

Congratulations on your choice of the RUMFORD 1000. We at Renaissance Fireplaces are confident that you have purchased a fireplace that burns beautifully, without compromise.

Sincerely,

Renaissance Fireplaces™ Team

PLEASE VISIT OUR WEBSITE FOR MORE INFORMATION
WWW.RENAISSANCEFIREPLACES.COM

RENAISSANCE FIREPLACES™, A DIVISION OF:
INDUSTRIAL CHIMNEY COMPANY
400 J-F KENNEDY
ST. JEROME (QUEBEC)
CANADA J7Y 4B7
TELEPHONE: (450) 565-6336
FAX: (450) 565-6519

TABLE OF CONTENTS

GETTING STARTED: WHAT TO KNOW AND DO BEFORE THE FIRST FIRING	4
IMPORTANT SAFETY AND OPERATION PRECAUTIONS	4
Do's and Don'ts	4
Avoiding Excessive Temperatures	5
FEATURES	6
Unique Decorative Fireplace	6
Mandatory Firebox Lining Options	6
Gas Logs	7
PROPER FUEL	7
What to Burn at All Times	7
What to Burn Occasionally and Carefully	8
What Never to Burn	8
FIRST FIRES	8
OPERATING THE FIREPLACE	9
BEFORE FIREBUILDING	9
Glass Door Operation	9
Firescreen Operation	10
Outside Air Control	10
BUILDING THE FIRE	11
CONTROLLING THE FIRE	11
REFUELING	12
MAINTENANCE	12
ROUTINE TASKS	12
Disposal of Ashes	12
General Cleaning	12
Paint	12
Glass Cleaning	13
GUILLOTINE SYSTEM	13
GLASS DOOR GASKETS	14
Gaskets' Location	14
Adjusting the Glass Door for Proper Seal	14
CHIMNEY CLEANING	16
REPLACEMENT PARTS	16
LISTING LABEL	17
WARRANTY	18

We strongly recommend that our products be installed and serviced by professionals who are certified by the National Fireplace Institute in the U.S. or by Wood Energy Technology Transfer Inc. in Canada.



GETTING STARTED: WHAT TO KNOW AND DO BEFORE THE FIRST FIRING

IMPORTANT SAFETY AND OPERATION PRECAUTIONS

DO'S AND DON'TS

If this fireplace is not properly installed, a house fire could result. For your safety the fireplace should be installed by a professional following the installation directions. The local authority having jurisdiction (such as municipal building department or fire department) should be contacted regarding restrictions and installation requirements, and the need to obtain a permit.

To ANYONE using this fireplace: these **DO's** and **DON'Ts** are for your safety and for the durability of the unit. Detailed explanations follow in the manual.

1. **DO** read this owner's manual before lighting your first fire.
2. **DO** keep these instructions, as well as the Installation Manual, for future use.
3. **DO** burn dry, split, seasoned wood fuel.
4. **DO operate the fireplace with the glass door either fully closed or fully open.** If the glass door is left partly open, it will increase the burn rate and permanently damage the fireplace.
5. **DO** keep all combustible materials (furniture, firewood, etc.) at least 4' away from the front of the fireplace.
6. **DO** have the chimney inspected for creosote buildup, at least annually, and have it professionally cleaned as needed to prevent a chimney fire. See complete information on the following page and in the Maintenance section.
7. **DO NOT** slam the fireplace door when opening or closing, to avoid glass breakage.
8. **DO NOT** use the fireplace with the door closed if the glass is cracked or broken. Replace the glass before using the glass door again.
9. **DO NOT** ever use gasoline, gasoline-type lantern fuel, kerosene, charcoal lighter fluid or similar liquids to start or freshen up a fire. Keep all such liquids well away from the fireplace while it is in use.
10. **DO NOT over fire the fireplace.** Burn a maximum of 4-5 medium logs (5" diameter) or 3 large logs (6" diameter), of an overall length equivalent to 20", at a time. See complete warning on page 5.
11. **DO NOT** operate the fireplace with both the firescreen and door open. One of the two should always be closed while having a fire.
12. **DO NOT** use a fireplace grate or other products not specified for use with this fireplace.

-
13. **DO NOT** step or put legs of a step ladder on the metal front step or the hearth threshold. This is the black metal surface against which the guillotine glass door and firescreen close at the bottom of the fireplace opening.
 14. **DO NOT** install an insert in this fireplace.

AVOIDING EXCESSIVE TEMPERATURES

Over Firing



OVER FIRING THE RENAISSANCE RUMFORD™ 1000 WILL CAUSE DURABILITY PROBLEMS.

THE RENAISSANCE IS CAPABLE OF BURNING CLEANLY PRIMARILY BECAUSE IT HAS BEEN ENGINEERED TO QUICKLY BURN VERY HOT. THIS RESULTS IN A BEAUTIFUL, CLEAN FIRE BUT CAN CAUSE DURABILITY PROBLEMS IF THE UNIT IS REGULARLY OVERLOADED AND/OR OPERATED CONTINUOUSLY WITH EXCESSIVE LARGE WOOD LOADS. THE RENAISSANCE IS PRIMARILY A DECORATIVE APPLIANCE AND ACCORDINGLY LESS EFFICIENT THAN A WOOD BURNING STOVE SO THERE IS NO BENEFIT TO BURNING LARGER WOOD LOADS.

THE FOLLOWING GUIDELINES WILL ENSURE YOUR FIREPLACE BURNS BEAUTIFULLY WHILE MAINTAINING ITS DURABILITY:

- **APPROXIMATE MAXIMUM LOG SIZE: 20" IN LENGTH, 6" IN DIAMETER.**
- **APPROXIMATE MAXIMUM LOAD: NO MORE THAN THE EQUIVALENT OF 3 LOGS AS SPECIFIED ABOVE.**

THIS WOOD LOAD IS MORE THAN SUFFICIENT TO FILL THE FIREBOX COMPLETELY WITH FLAMES AND PROVIDE A LARGE AMOUNT OF RADIANT HEAT.

THE RENAISSANCE RUMFORD™ 1000 WILL BURN WITH LARGE HIGH FLAMES REGARDLESS OF HOW THE WOOD IS PLACED IN THE UNIT. STACKING THE WOOD TIPI-STYLE AGAINST THE BACK OF THE FIREPLACE IS ACCEPTABLE BUT CAN COSMETICALLY DAMAGE THE FIREBOX REFRACTORY BRICKS IF YOU'RE NOT CAREFUL PLACING THE LOGS.

IF ANY OF THE FOLLOWING SIGNS APPEAR IN YOUR FIREPLACE THEN YOU ARE OVER FIRING:

- **THE VERMICULITE PANELS HAVE CHANGED COLOR**
- **THE REFRACTORY BRICKS ARE CRACKING AND DETERIORATING QUICKLY**
- **THE DOOR CHANNEL IS WARPED**
- **THE SMOKE DIVERTER IS WARPED**

Creosote: Formation and Removal

When wood is burned slowly, it produces tar and other organic vapors which combine with the expelled moisture from the wood to form creosote. The creosote vapors can condense in the relatively cool chimney of a slow burning fire. As a result, creosote residue accumulates on the flue lining. When ignited, this creosote makes an extremely hot fire in the chimney.

The chimney should be inspected periodically during the heating season to see if a creosote build-up has occurred. The presence in a chimney of soot or creosote in excess of 1/8" (3mm) thick will indicate the need for immediate cleaning, possible modification of burning procedures, and more frequent inspections.

FEATURES

UNIQUE DECORATIVE FIREPLACE

The RUMFORD 1000 fireplace is a decorative fireplace that provides a magnificent view of the fire. It is defined as a fireplace (primarily for aesthetics) under the 2015 EPA (United States Environmental Protection Agency) regulation since it offers more than 500 square inches of pure fire viewing (930 square inches are visible). Small amounts of firewood can fill the firebox with large, beautiful flames in this exceptional fireplace.

When lined with the optional vermiculite panels, it has met the United States Environmental Protection Agency (EPA) Voluntary Wood Burning Fireplace Program Phase 2 emission level. It is:

- Typically burning at a rate of 4 kg/hr,
- Clean burning with an emission rate of 3.0 g/kg when burned with the door open and the firescreen closed as tested with ASTM 2558¹ test protocol,
- Clean burning with an emission rate of 1.0 g/kg when burned with the door closed as tested with ASTM 2558¹ test protocol, and
- Clean burning with an equivalent emission rate of 4.19 g/hr when burned with the door closed.

MANDATORY FIREBOX LINING OPTIONS

The RUMFORD 1000 has two options for the bricks that line the interior of the firebox. One of the two options **MUST** be installed.

1. **Vermiculite panels with a herringbone brick pattern (EO-VP1000).** This choice offers the cleanest burning fireplace on the market and a very classic herringbone look.

Pros: super low emissions, very fast startup.

Cons: Less durable than cement refractory bricks, expect to see wear and cracking with these bricks over time.

¹ ASTM 2558: Standard Test Method for Determining Particulate Matter Emissions from Fires in Low Mass Wood-Burning Fireplaces.

-
2. **Cement refractory bricks with a running bond brick pattern (EO-RB1000)** which offers the most durable solution for the Rumford and a very traditional look.

Pros: Durable and dependable, less maintenance and degradation over time.

Cons: The fireplace will not light as quickly.



THE FIREPLACE SHOULD NEVER BE BURNED WITHOUT THE FIREBOX INSULATION AND REFRACTORY BRICKS PROPERLY INSTALLED.

GAS LOGS

Vented gas logs sets are permitted, unvented gas logs are not. Go online to the Renaissance web site: www.renaissancefireplaces.com for more information.



THIS FIREPLACE HAS NOT BEEN TESTED WITH AN UNVENTED GAS LOG SET. TO REDUCE RISK OF FIRE OR INJURY, DO NOT INSTALL AN UNVENTED GAS LOG SET INTO THIS FIREPLACE.

DO NOT INSTALL A GAS LIGHTER BECAUSE THE HEAT PRODUCED BY THE FIREPLACE MAY PERMANENTLY DAMAGE THE GAS LIGHTER

WARNING

PROPER FUEL

In all combustion appliances: the better the fuel, the better the burn. Let's look now at the characteristics of good fuel, so that you have the right information to provide your RUMFORD 1000 with the fuel that will make for easier and faster starting, cleaner and more beautiful burning, and reduced maintenance.

WHAT TO BURN AT ALL TIMES

We recommend always burning your fireplace with split, dry, seasoned wood logs. Your fireplace will not burn cleanly or efficiently unless the wood is dry and well-seasoned. That means wood that has been cut, split, stored in a stack that is covered on top, but open on the sides for air flow for at least 6 months, but preferably for a year or two.

There are some simple indicators that wood is reasonably well-seasoned: loose or fallen bark, splitting of the log ends, weight relative to known dry wood, ease in splitting, and how the wood burns (catches quickly and does not sizzle or drip water). But the best way to know that your wood is really well-seasoned is with a moisture meter. This is a simple gauge that measures moisture content. Exact accuracy is less important

than establishing a benchmark. With an inexpensive meter you can find a range (usually 20-25% or less) that gives you a way to have and meet an effective, reasonable standard for your firewood.

You can burn any well-seasoned species of wood. Softwoods dry quickly, start easily, and offer quick, bright burns. Hardwoods generally take longer to season and burn longer.

WHAT TO BURN OCCASIONALLY AND CAREFULLY

Do not use construction scraps (e.g. 2x4 or plywood scraps) as your only supply of fuel as you can overheat and seriously damage the fireplace.

If you use densified wood logs, do not use more than two at a time and only with the firescreen closed. If you use more than two at a time, you will over fire the fireplace. Do not poke or stir the logs while they are burning.

If you use wax fuel logs (e.g. Duraflame), do not use more than one wax fuel log at a time and only with the firescreen closed. Using them with a closed door will lead to a dirty glass. Furthermore, if you use more than one at a time, you will over fire the fireplace. Do not poke or stir the log while it is burning.

Use only firelogs that have been evaluated for fireplace use. In Canada, they must meet the requirements of ANSI/CAN/UL/ULC 2115 Processed Solid Fuel Firelogs and Firestarter. Refer to the firelog warnings and caution markings on packaging prior to use.



USE SOLID FUEL ONLY.

BURN DRY WOOD ONLY.

DO NOT BURN DRIFTWOOD, TREATED WOOD, COAL, GARBAGE, OR PLASTIC.

WHAT NEVER TO BURN

Never use flammable liquids such as gasoline, kerosene, charcoal lighter fluids to start or refresh a fire in the RUMFORD 1000.

Never burn driftwood, treated wood, coal, garbage, or plastic.

FIRST FIRES

Be aware that there is a possibility of minor smoke and odor emitted into the house from oils and paint curing during the first fires of your new fireplace. You may want to schedule first burns when doors and windows of the house can be opened if needed.

The vermiculite panels or the cement refractory bricks will accumulate moisture after extended periods without burning. The first fire will burn off this excess moisture and may make it more difficult to light.

OPERATING THE FIREPLACE

BEFORE FIREBUILDING

GLASS DOOR OPERATION

The RUMFORD 1000 is equipped with a counterweighted guillotine glass door. Normal operation of the door should always be in a vertical motion. It can also be opened on a hinge to allow for cleaning of the glass. Please refer to the "Maintenance" section for more information on how to open the glass door on its hinge.

To open or close the glass door simply insert the handle in the door handle eye (see Figure 1) and either pull up or down. It is fully counterweighted. You can stop the door at any level, and it will stay in that position until you move it again.

The handle is equipped with a leather strap to allow you to hang the handle with your fireplace tools when you are not using it. By doing this, you will always have the fireplace handle close by.

The glass door has a stainless-steel cushion-type gasket at the bottom to ensure a good seal when it is closed. The gasket is soft enough to compensate for some dirt or ashes that may be under the door. Nevertheless, always make sure to remove anything that could prevent the door from sealing against the hearth threshold (the black metal surface at the bottom of the fireplace opening), and that could damage the gasket over time.

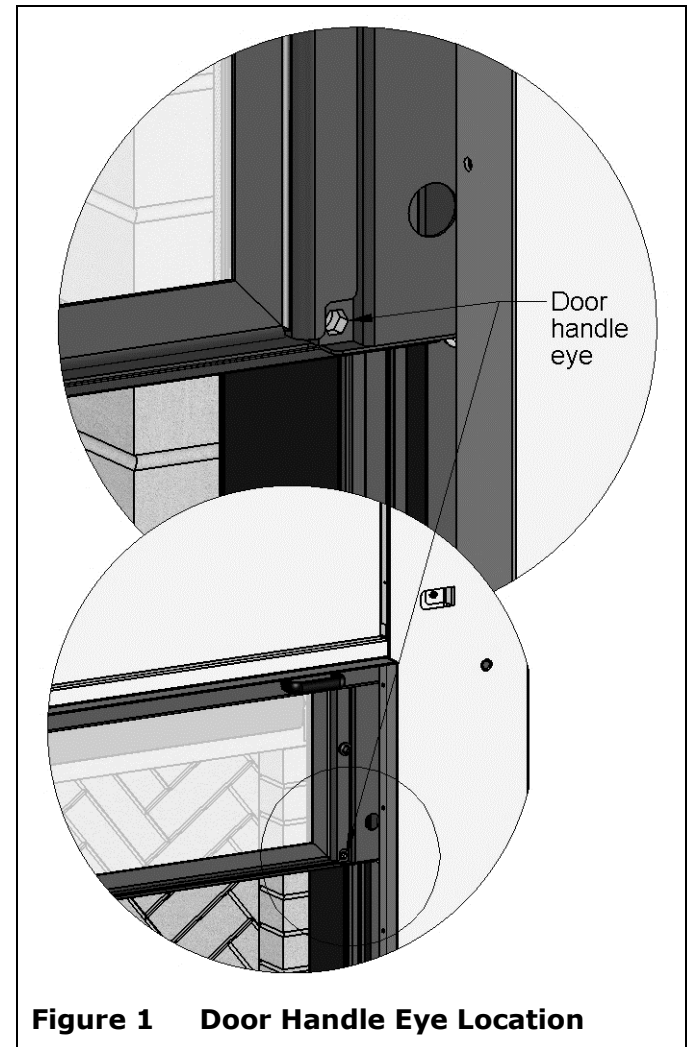


Figure 1 Door Handle Eye Location



DO NOT TOUCH ANY PART OF THE DOOR OR FIRESCREEN WITH BARE HANDS WHILE THE FIREPLACE IS OPERATING. IT MAY BE HOT ENOUGH TO BURN.

DO NOT BURN THE FIREPLACE WITH THE DOOR PARTIALLY OPEN. AIR WILL RUSH INTO THE FIREBOX AND CAUSE THE FIREPLACE TO OVERFIRE.

FIRESCREEN OPERATION

The RUMFORD 1000 is equipped with a counterweighted guillotine firescreen. To open or close the firescreen, simply lift on either or both of the handles. It is fully counterweighted. You can stop the firescreen at any level and it will stay in that position until you move it again.

OUTSIDE AIR CONTROL

If an outside air duct has been installed, the RUMFORD 1000 will use outside air for combustion. The control for the outside air is located on the left side beyond the door rail, approximately half way up (see Figure 2).

You need to fully open the glass door and the firescreen to have access to the outside air control.



TO MINIMIZE THE RISK OF INJURIES OR BURNS, DO NOT TOUCH THE OUTSIDE AIR CONTROL AND THE SURROUNDING PARTS WITH YOUR BARE HANDS WHILE THE FIREPLACE IS OPERATING. THEY MAY BE HOT ENOUGH TO CAUSE SERIOUS BURNS.

When the outside air control is down, the outside air damper is fully open. When it is up, the outside air damper is fully closed. Use a gloved hand to adjust the air control when the fireplace is hot.

Do not use force to move the control, it should turn freely about its pivot point. A spring keeps it open or closed. It will not change position by itself.

Even though the fireplace can be operated with the outside air damper closed, we recommend always using outside air for combustion when burning the fireplace with the glass door closed. In some cases this fresh air will also help compensate for negative pressure problems within the house (for example, when strong kitchen or bath fans compete with and reduce chimney draft in a tightly constructed house); however it will not prevent the fireplace from smoking in a severely depressurized house.

We also recommend using outside air for combustion when burning the fireplace with the firescreen closed. It will help reduce the depressurization of the house caused by burning the fireplace with the firescreen (when the fireplace draws large amounts of air from within a tightly constructed home).

This control should, however, be closed when the fireplace isn't burning to prevent cold air infiltration. It is sealed with a gasket.

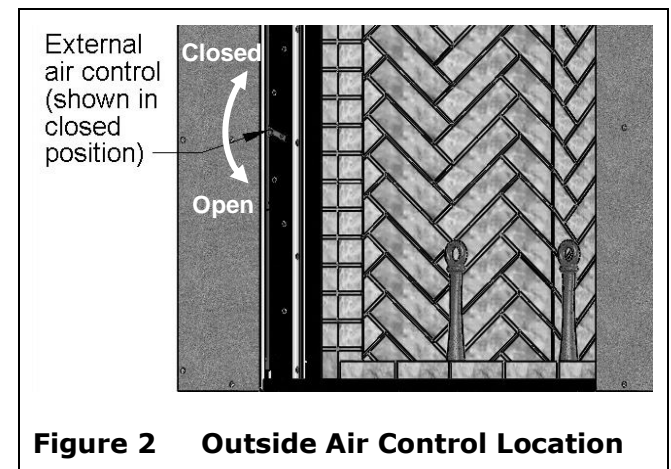


Figure 2 Outside Air Control Location

BUILDING THE FIRE

There are several ways to arrange your firewood to build a fire in your RUMFORD 1000. Always build and maintain the fire well behind the ash step refractory bricks, never against or close to the glass door or the firescreen. In all cases, you want to start with a number of pieces of easily lit material, such as newspaper. Place pieces of crumpled or loosely knotted paper in the area where you will be placing the kindling and firewood. Then add a generous layer of kindling over the paper, placed with spaces between the pieces for air flow. Finally, stack 2-3 small-medium size logs over the kindling so that they are close or touching one another but have small spaces between them for air flow. Then light the paper in a few places and close the firescreen.

Once the fire is established, you can add more wood and close the glass door or the firescreen, as you prefer. Either the glass door or the firescreen should always be closed when the fire is burning. To establish good draft and to minimize the emissions, do not close the door until the fire is burning briskly.

Never use flammable liquids to start or refresh the fire.



USE ONLY THE RENAISSANCE ANDIRONS PROVIDED WITH THE FIREPLACE.

CONTROLLING THE FIRE

The RUMFORD 1000 fireplace is designed to provide warm radiant heat. Although it does not come with a draft control, you will find that you can control the intensity of the fire and the quantity of flames quite well by varying the size and placement of the logs. Burning with the glass door or the firescreen closed will also affect heat transfer.

The RUMFORD 1000 is more efficient when burned with the glass door closed. Although more radiant heat will enter the room with the glass door open, heat from the home is being lost up the chimney. Feel free to burn your fireplace with either the firescreen or the glass door closed, but the glass door should always be closed when no fire is burning to prevent cold air infiltration into the home.



PLEASE READ THE WARNING RELATED TO OVERFIRING THE FIREPLACE IN THE "GETTING STARTED: WHAT TO KNOW AND DO BEFORE THE FIRST FIRING - IMPORTANT SAFETY AND OPERATION PRECAUTIONS" SECTION OF THIS MANUAL.

For a small fire, load 3 to 4 small logs (3" diameter) either lying down on the andirons or standing up in a tipi-style.

For a large fire, load 4 to 5 small-medium logs (5" diameter) either lying down on the andirons or standing up in a tipi-style.

Even though the firebox is quite big, you will soon discover that it is unnecessary to load a lot of wood to get magnificent flames. Be careful not to overload your fireplace, you will risk over firing your fireplace and overheating the room in which the fireplace is located. You will get greater satisfaction looking at a couple of small logs burning.

REFUELING

As the fire burns down and you want to add more wood, begin by having the firewood you intend to add in a convenient location near the fireplace. Select an appropriate fireplace tool to arrange remaining burning wood or to spread hot coals where you intend to place the new fuel. It is always recommended to use heavy fireplace gloves for the refueling process.

The door should be opened slowly to keep smoke from spilling into your room. If you have a problem with smoke spillage, check to see that all kitchen and bathroom fans have been shut off. They can cause negative pressure in the house which pulls smoke out of the fireplace.

MAINTENANCE

ROUTINE TASKS

DISPOSAL OF ASHES

Remove the ashes before they become too deep, i.e., before you have a spillage problem over the ash step refractory bricks.

The ashes should be placed in a metal container with a tight-fitting lid. Any hot coals embedded in the ashes can remain very hot very long. Therefore, the closed container of ashes should be placed on a non-combustible floor or on the ground, well away from all combustible materials pending final disposal. If the ashes are disposed of by burial, or otherwise locally dispersed, they should be retained in the closed container until all cinders are thoroughly extinguished.

GENERAL CLEANING

Any black painted portion of the fireplace can be cleaned with a soft damp cloth. Use a mild detergent and water. Do not use abrasive cleaners.

PAINT

You can touch up the metal areas of the face of the RUMFORD 1000 with *Stove Bright* Metallic Black high temperature paint which is available at most fireplace dealers. Follow the directions outlined on the spray can. **DO NOT** attempt to paint the fireplace while it is still warm. Keep the spray can away from any source of heat or open flame. Ensure that there is adequate ventilation in the room from the time you start painting until the paint is dry. *Stove Bright* is available in a wide range of colors if you want to change the color of your fireplace.

We recommend that you take the time to protect or remove any items that you do not want to paint such as the door glass, the materials surrounding the fireplace, the hearth extension (the non-combustible finishing material on the floor in front of the fireplace), etc.

GLASS CLEANING

Depending on how you burn your RUMFORD 1000, temperatures may not always be hot enough to keep the glass perfectly clean. Having a good hot fire regularly usually cleans off most of the deposits that have accumulated. Remember: the dryer the wood and the hotter the fire, the cleaner the glass. A word of caution: although heat will not break the glass, impact can. Be careful not to hit the glass.



NEVER CLEAN THE GLASS WHILE IT IS HOT, A SERIOUS BURN CAN RESULT. NEVER CLEAN THE GLASS WITH AN ABRASIVE CLEANER. USE ONLY A CLEANER RECOMMENDED BY YOUR DEALER. THERE ARE A NUMBER OF EXCELLENT WOOD STOVE GLASS CLEANERS AVAILABLE WHICH ARE FAR SUPERIOR TO REGULAR GLASS AND OVEN CLEANERS.

The glass door can be swung open in order to clean the glass surface inside the fireplace. First, lift the firescreen completely and remove any objects that may be on the hearth that could prevent the glass door from opening. Close the glass door completely and then using the fireplace handle tip as a screwdriver, unlock the two latch pins on the right of the door by turning it a quarter turn counterclockwise (see Figure 3). Once the latch pins are unlocked, simply pull the glass door free from the guillotine frame. You may need to slightly lift the door but be careful not to lift too high or the door may bind against the firescreen.

GUILLOTINE SYSTEM

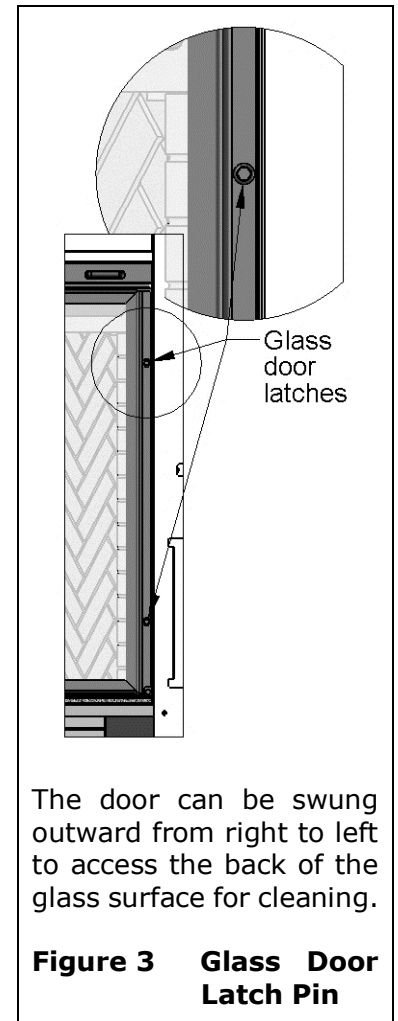
Components of the guillotine system have been designed to limit the requirement for maintenance and overhaul.

The guillotine glass door and firescreen are designed to operate without having to exert excessive force. If at any time you feel like you have to apply significant force to get the door or the firescreen moving, something is wrong. Do not force it; you could damage or break something.

To ensure easy operation of both the guillotine door and the firescreen, we recommend that you lubricate the guide rails at the beginning of every burning season. Completely open the firescreen and the guillotine door. Apply a small quantity of the high temperature grease provided with the fireplace (regular grease will not withstand the heat of the fireplace) on each guide rail (left and right) just below the bottom of the door and move your door up and down a couple of times to distribute the grease all over the guide rails. Repeat for the firescreen. You can purchase additional high temperature grease from your Renaissance dealer.



DO NOT USE TEFLON-BASED OR SILICON-BASED PRODUCTS SUCH AS JIG-A-LOO BECAUSE THEY ARE NOT MEANT TO BE USED IN A HIGH TEMPERATURE ENVIRONMENT. BURNED TEFLON CAN RELEASE A TOXIC FUME.



If for any reason you need to dismantle the guillotine system, complete instructions are available on our web site: www.renaissancefireplaces.com/en/installation-manuals.

GLASS DOOR GASKETS

GASKETS' LOCATION

The design of the guillotine door requires many gaskets to create a seal adequate for the air wash to keep the glass clean (see Figure 4).

1. There is a fiberglass gasket around the edge of the glass. If you ever need to remove or change the glass, this gasket will need to be changed as well.
2. There is another fiberglass gasket on the back side of the glass door to seal it against the guillotine door frame. This gasket will need to be changed every few years depending on how often you open the glass door on its hinge. It will also need to be removed and changed if you ever need to change the glass.
3. There is a steel gasket that seals the top of the guillotine door frame against the fireplace. It is on the back side of the top of the guillotine door frame. This gasket will rarely need to be changed but it may require some adjustment. Please see your Renaissance dealer for more details.
4. There is a stainless-steel gasket that seals the bottom of the guillotine door frame against the hearth threshold. It is on the bottom of the guillotine door frame. The rate of replacement will vary depending on how careful you are at keeping the hearth threshold clean before closing the guillotine door.

ADJUSTING THE GLASS DOOR FOR PROPER SEAL

The glass door can be adjusted in the guillotine door frame in order to close properly on the glass door gasket. It can be adjusted on both the right and the left side, and the hinge can be adjusted in and out with respect to the door frame.

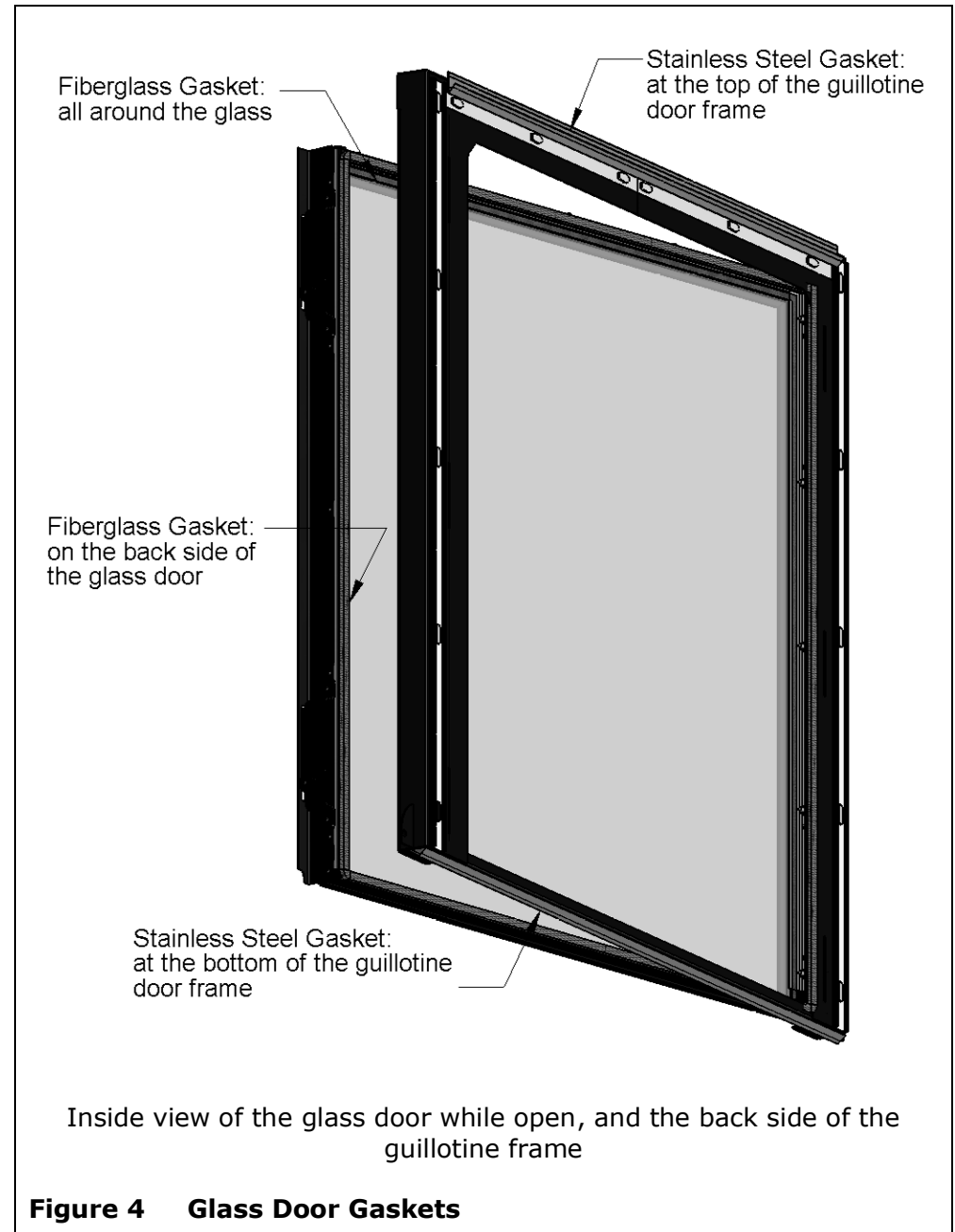


Figure 4 Glass Door Gaskets

If making hinge adjustments, it will be aesthetically preferable to adjust both the guillotine frame and the glass door hinges equally.

While burning your fireplace with the door closed, if you see the flames coming close to the glass, burning more on one side, or simply not burning nicely, you may need to change one of the gaskets.

Latch Pin Adjustment

If required, the right side of the glass door can be tightened/loosened by adjusting the tightness of the latch pin:

1. Swing the glass door open.
2. Remove the shoulder bolt and the bushing on the back side of the latch pin.
3. Turn the main bolt of the latch pin counterclockwise to tighten the glass door or clockwise to loosen the glass door.
4. Reinstall the bushing and shoulder bolt.
5. Close and latch the glass door.

There is no need to over-tighten the glass door.

Glass Door Hinge Adjustment

If required, the left side of the glass door can be tightened/loosened by adjusting the position of the hinge on both the glass door and the guillotine door frame. You can adjust the hinge to the glass door; the glass door will then move in or out with respect to the hinge and the guillotine door frame.

1. Swing the glass door open.
2. Slightly loosen the screws holding the hinge to the glass door.
3. Gently pull the glass door to the right to tighten it or to the left to loosen it. This will move the glass door slightly closer/farther to the guillotine door frame when it is closed.
4. Retighten all the hinge screws on the glass door.
5. Close and latch the glass door.

Guillotine Frame Hinge Adjustment

You can also adjust the door hinge where it connects to the guillotine door frame. The glass door and the hinge will then be moved in or out with respect to the guillotine door frame.

1. Swing the glass door open.
2. Slightly loosen the screws holding the hinge to the guillotine door frame.
3. Gently push the glass door with the hinge towards the firebox. This will move the glass door and the hinge slightly closer to the guillotine door frame when it is closed.

4. Retighten all the hinge screws on the guillotine door frame.
5. Close and latch the glass door.

CHIMNEY CLEANING

A fireplace as clean burning as the RUMFORD 1000 should not produce much creosote, but the chimney should nevertheless be inspected for creosote buildup after a couple of months of use. This will allow you to visualize the amount of creosote that is accumulating and adjust the frequency of checking the chimney accordingly. At least an annual inspection is recommended. A buildup of 1/8" (3mm) or more calls for cleaning by a chimney professional. Depending on how you burn your RUMFORD 1000, the chimney may need cleaning every year or every other year.

REPLACEMENT PARTS

A complete list of replacement parts is available on our web site: www.renaissancefireplaces.com or consult with your Renaissance dealer.

LISTING LABEL

The listing label has been placed on the left counterweight channel. To be able to consult the label, fully open the firescreen and guillotine glass door. Use a portable lamp and look left in the guillotine bay. The listing label is permanently affixed and should not be removed.



RENAISSANCE RUMFORD
LISTED FACTORY-BUILT FIREPLACE

COMPONENTS REQUIRED FOR INSTALLATION:

- ◆ USE 4 IN. OR 5 IN. (102 OR 127 MM) DIAMETER FLEXIBLE DUCT AND COMBUSTION AIR INLET ASSEMBLY.
- ◆ USE THE **ICC MODEL 10 IN. (254 MM) RIS CHIMNEY** AND LISTED COMPONENTS AS PER INSTALLATION INSTRUCTIONS.
- ◆ REFER TO MANUFACTURER'S INSTALLATION AND OPERATING INSTRUCTIONS FOR OPTIONAL COMPONENTS.
- ◆ INSTALL AND USE ONLY IN ACCORDANCE WITH THE MANUFACTURER'S INSTALLATION AND OPERATING INSTRUCTIONS.
- ◆ **DO NOT OBSTRUCT COMBUSTION AIR INLET.** ◆ A FIREPLACE INSTALLED WITHOUT OUTSIDE PROVISION AIR COULD STARVE OTHER FUEL BURNING APPLIANCES OF COMBUSTION, VENTILATION AND DILUTION AIR AS A RESULT OF FIREPLACE OPERATION. ◆ DO NOT USE A FIREPLACE INSERT OR OTHER PRODUCTS NOT SPECIFIED FOR USE IN THIS PRODUCT. ◆ COMBUSTIBLE MATERIALS OTHER THAN MANTEL (SHELF AND/OR POSTS) ARE NOT PERMITTED ON FACE OF UNIT.
- ◆ COMBUSTIBLE FLOOR MUST BE PROTECTED AS SPECIFIED IN THE INSTALLATION INSTRUCTIONS MANUAL. ◆ GAS LOG SHALL BE CERTIFIED FOR THE APPLICATION. WHEN INSTALLED, THE CHIMNEY DAMPER SHALL BE PERMANENTLY SECURE IN AN OPEN POSITION TO EFFECTIVELY VENT THE APPLIANCE. ◆ WARNING: THIS FIREPLACE HAS NOT BEEN TESTED WITH AN UNVENTED GAS LOG SET. TO REDUCE RISK OF FIRE OR INJURY, DO NOT INSTALL AN UNVENTED GAS LOG SET INTO FIREPLACE. ◆ REPLACE GLASS ONLY WITH 5MM CERAMIC GLASS. ◆ OPERATE ONLY WITH FIREBRICKS IN PLACE. ◆ FOR USE WITH SOLID WOOD FUEL ONLY.
- ◆ **MODEL 1000: OPERATE THIS FIREPLACE WITH THE DOOR CLOSED OR THE FIRESCREEN CLOSED.**
- ◆ **MODEL 1000CD: OPERATE THIS FIREPLACE WITH THE DOOR CLOSED ONLY.**
- ◆ **DO NOT OVERFIRE UNIT.**


DO NOT REMOVE THIS LABEL
TESTED TO: UL 127 / CAN/ULC-S610



MINIMUM CLEARANCES TO COMBUSTIBLE MATERIALS	
	SIDEWALL 24 IN. / 610 MM FROM FIREPLACE OPENING
*HEIGHT OF MANTEL SHELF: 0-6 IN. (0-152 MM) DEEP	6 IN. / 152 MM FROM FIREPLACE OPENING
*MANTEL POSTS: 0-3 IN. (0-76 MM) DEEP	6 IN. / 152 MM FROM FIREPLACE OPENING
UNIT TOP, BACK, SIDES AND BOTTOM	0 IN. / 0 MM TO SPACERS

*SEE INSTALLATION INSTRUCTIONS FOR OTHER SPECIFICATIONS OF MANTEL SHELF AND/OR MANTEL POSTS.

WHEN LINED WITH VERMICULITE PANELS, THIS APPLIANCE MEETS THE PHASE 2 EMISSION LEVEL (g/kg) REQUIRED BY THE U.S. ENVIRONMENTAL PROTECTION AGENCY (EPA), AS PER TEST PROTOCOL ASTM 2558 "STANDARD TEST METHOD FOR DETERMINING PARTICULATE MATTER EMISSIONS FROM FIRES IN LOW MASS WOOD-BURNING FIREPLACES".



FIREPLACE: FIRE CHAMBER FOR USE WITH ICC CERTIFIED MODEL RESIDENTIAL TYPE AND BUILDING HEATING APPLIANCE CHIMNEY.

NUMBER:



SAFETY US-CA
SÉCURITÉ US-CA
MH61405

1000

1000CD

SERIAL NO. / NO DE SÉRIE

DATE MANUFACTURED /
DATE DE FABRICATION

MODEL /
MODÈLE

MADE IN CANADA BY / FABRIQUÉ AU CANADA PAR
ICC, 400 J.F. KENNEDY, ST-JEROME, QC,
CANADA, J7Y 4B7

936301

WARRANTY

30 YEAR LIMITED WARRANTY FOR RENAISSANCE FIREPLACES™

All **Renaissance Fireplaces™** models are warranted against defects in material and workmanship for a period of 30 years, subject to the following conditions:

During the first year **Renaissance Fireplaces™** will repair or replace, at our option, any parts which upon examination by an authorized **Renaissance Fireplaces™** representative, are found to be defective, except the parts listed in the EXCLUSIONS portion of this warranty. **Renaissance Fireplaces™** will also pay reasonable labor costs for the repair work.

During the second through fifth years **Renaissance Fireplaces™** will repair or replace, at our option, any parts which upon examination by an authorized **Renaissance Fireplaces™** representative, are found to be defective, except the parts listed in the EXCLUSIONS portion of this warranty. **Renaissance Fireplaces™** shall not be responsible for any labor costs associated with this repair work.

During the sixth through thirtieth years **Renaissance Fireplaces™** will provide replacement parts, if available, at 50% of the published retail price, except for the parts listed in the EXCLUSIONS portion of this warranty. **Renaissance Fireplaces™** shall not be responsible for any labor costs associated with this repair work.

EXCLUSIONS:

- Glass and andirons.
- Damage due to normal wear and tear, such as paint discoloration, worn gaskets, eroded or cracked rigid insulation panels or firebox lining components.
- Repairs or replacements necessitated by vandalism, neglect, abuse, over-firing, improper fuel or fuel loads, or failure to adequately service the unit, as stated in the owner's manual.
- Repairs or replacements (particularly charges for travel and labor) not authorized by **Renaissance Fireplaces™** in advance.

LIMITATIONS:

- All items found to be defective will be replaced or repaired upon return of the defective part to an authorized **Renaissance Fireplaces™** dealer. **Renaissance Fireplaces™** will not be responsible for freight costs related to shipping replacement parts.
- Any complete fireplace, or part thereof, that is replaced or serviced under this warranty, will be warranted for a period not exceeding the remaining term of the original warranty.
- This warranty is not transferable.

-
- This warranty does not apply to damage to the appliance while in transit.
 - This warranty does not apply if the installation does not conform to the installation requirements in the installation and owner's manuals.
 - **Renaissance Fireplaces™** is free of liability for any damages caused by the appliance, as well as material and labor charges incurred in the removal or re-installation of any **Renaissance Fireplaces™** fireplace under this warranty. Incidental or consequential damages are not covered by this warranty.
 - The remedies set forth herein are exclusive, and the liability of the seller shall not exceed the price of the fireplace or part thereof upon which the liability is based.
 - This warranty is expressly in lieu of all other warranties expressed or implied, including the warranties of merchantability and fitness for use and all other obligations or liabilities on the part of **Renaissance Fireplaces™**.