

The Uptown⁶⁰⁰

Wood-burning in classic spaces.



The Uptown⁶⁰⁰

Wood-burning in urban spaces.

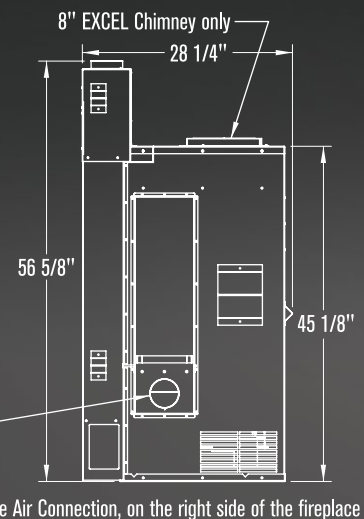
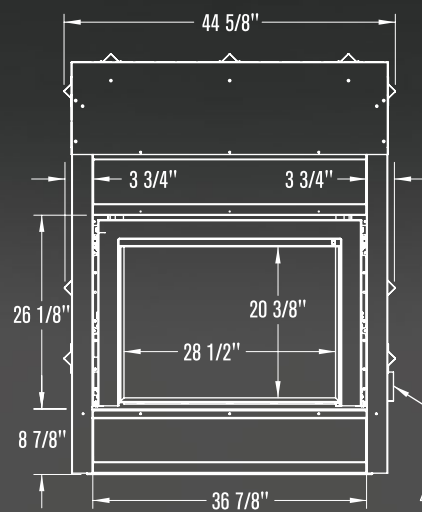
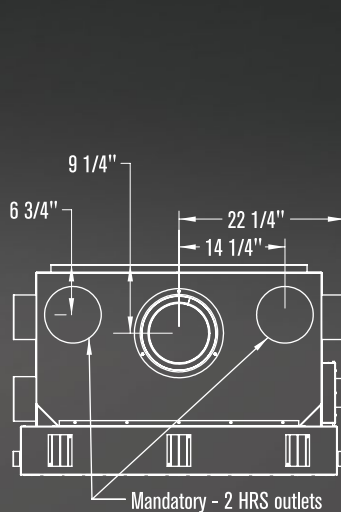


The Uptown's clean design and moderate size offer endless possibilities for style and expression. The built-in guillotine door and screen glide smoothly on vertical rails using bearings and duo counterweights. The same fluid motion is used in a tilt-forward system for easy cleaning and servicing. Both the guillotine and tilt-forward systems simplify loading, operation, and maintenance while providing safety to those wanting the experience of a 600 in² view of a beautiful, open, crackling fire.

- 600 in² of glass
- Built-in guillotine door and screen system
- Ultra-smooth refractory bricks produced using steel molds
- Easy front-tilt door and screen for cleaning and maintenance
- Removable door handle
- Heat Recovery System

Heat Recovery System (HRS)

The Uptown 600 includes a Heat Recovery System (HRS) to distribute heat throughout the home using ducts.



Visit our website at www.renaissancefireplaces.com

