

# RENAISSANCE LINEAR 50 SP



**Keep these instructions for future use.**

**Dear Customer,**

The Renaissance LINEAR 50 SP is a member of the Renaissance Fireplaces family of ultra-high-end fireplaces. The LINEAR 50 SP is unique in its design. The 50" wide opening provides an enormous linear space to watch the fire. It combines technology with elegance, allowing you to enjoy an open fire in a modern fashion.

We have designed your new fireplace to be easy to install, operate and maintain. It is in your best interest to become familiar with it.

Congratulations on your choice of the LINEAR 50 SP. We at Renaissance Fireplaces are confident that you have purchased a fireplace that burns beautifully, without compromise.

Sincerely,

Renaissance Fireplaces™ Team

August 2017

PLEASE VISIT OUR WEBSITE FOR MORE INFORMATION  
[WWW.RENAISSANCEFIREPLACES.COM](http://WWW.RENAISSANCEFIREPLACES.COM)

RENAISSANCE FIREPLACES™, A DIVISION OF:  
INDUSTRIAL CHIMNEY COMPANY  
400 J-F KENNEDY  
ST. JEROME (QUEBEC)  
CANADA J7Y 4B7  
TELEPHONE: (450) 565-6336  
FAX: (450) 565-6519

# TABLE OF CONTENTS

<b>GETTING STARTED: WHAT TO KNOW AND DO BEFORE THE FIRST FIRING</b>	<b>4</b>
<b>IMPORTANT SAFETY AND OPERATION PRECAUTIONS</b>	<b>4</b>
Do's and Don'ts	4
Avoiding Excessive Temperatures	5
<b>FEATURES</b>	<b>6</b>
Unique Decorative Fireplace	6
Options	6
<b>PROPER FUEL</b>	<b>7</b>
What to Burn at All Times	7
What to Burn Occasionally and Carefully	7
What Never to Burn	7
<b>FIRST FIRES</b>	<b>8</b>
<b>OPERATING THE FIREPLACE</b>	<b>8</b>
<b>BEFORE FIREBUILDING</b>	<b>8</b>
Glass Door Operation	8
Outside Air Control	8
Chimney Damper	9
<b>BUILDING THE FIRE</b>	<b>9</b>
<b>CONTROLLING THE FIRE</b>	<b>10</b>
<b>REFUELING</b>	<b>10</b>
<b>MAINTENANCE</b>	<b>11</b>
<b>ROUTINE TASKS</b>	<b>11</b>
Disposal of Ashes	11
General Cleaning	11
Paint	11
Glass Cleaning	11
<b>GASKETS</b>	<b>12</b>
<b>ADJUSTING THE DOOR LATCH</b>	<b>12</b>
<b>CHIMNEY CLEANING</b>	<b>12</b>
<b>REPLACEMENT PARTS</b>	<b>13</b>
<b>LISTING LABEL</b>	<b>13</b>
<b>WARRANTY</b>	<b>14</b>

**We strongly recommend that our products be installed and serviced by professionals who are certified by the National Fireplace Institute in the U.S. or by Wood Energy Technology Transfer Inc. in Canada.**



## GETTING STARTED: WHAT TO KNOW AND DO BEFORE THE FIRST FIRING

### **IMPORTANT SAFETY AND OPERATION PRECAUTIONS**

#### **DO'S AND DON'TS**

**If this fireplace is not properly installed, a house fire could result. For your safety the fireplace should be installed by a professional following the installation directions. The local authority having jurisdiction (such as municipal building department or fire department) should be contacted regarding restrictions and installation requirements, and the need to obtain a permit.**

To ANYONE using this fireplace: these **DO's** and **DON'Ts** are for your safety and for the durability of the unit. Detailed explanations follow in the manual.

1. **DO** read this owner's manual before lighting your first fire.
2. **DO** keep these instructions, as well as the Installer's Manual, for future use.
3. **DO** burn dry, split, seasoned wood fuel.
4. **DO operate the fireplace with the glass door either fully closed or fully open.** If the glass door is left partly open, it will increase the burn rate and permanently damage the fireplace.
5. **DO** keep all combustible materials (furniture, firewood, etc.) at least 4' away from the front of the fireplace.
6. **DO have the chimney inspected for creosote buildup, at least on an annual basis, and have it professionally cleaned as needed to prevent a chimney fire. See complete information on the following page and in the Maintenance section.**
7. **DO NOT** slam the fireplace door in opening and closing it, to avoid glass breakage.
8. **DO NOT** use the fireplace with the door closed if the glass is cracked or broken. Replace the glass before using the glass door again.
9. **DO NOT** ever use gasoline, gasoline-type lantern fuel, kerosene, charcoal lighter fluid or similar liquids to start or freshen up a fire. Keep all such liquids well away from the fireplace while it is in use.
10. **DO NOT over fire the fireplace.** Burn a maximum of 4-5 medium logs (5" diameter) or 3 large logs (6" diameter), of an overall length equivalent to 24" pieces, at a time. See complete warning on page 5.
11. **DO NOT** use a fireplace grate or other products not specified for use with this fireplace.
12. **DO NOT** step or put legs of a step ladder on any of the black lintels surrounding the glasses.

---

## AVOIDING EXCESSIVE TEMPERATURES

### *Over Firing*

**WARNING: OVER FIRING THE RENAISSANCE LINEAR 50 SP WILL CAUSE DURABILITY PROBLEMS.**



THE RENAISSANCE IS CAPABLE OF BURNING CLEANLY PRIMARILY BECAUSE IT HAS BEEN ENGINEERED TO QUICKLY BURN VERY HOT. THIS RESULTS IN A BEAUTIFUL, CLEAN FIRE BUT CAN CAUSE DURABILITY PROBLEMS IF THE UNIT IS REGULARLY OVERLOADED AND/OR OPERATED CONTINUOUSLY WITH EXCESSIVE LARGE WOOD LOADS. THE RENAISSANCE IS PRIMARILY A DECORATIVE APPLIANCE AND ACCORDINGLY LESS EFFICIENT THAN A WOOD BURNING STOVE SO THERE IS NO BENEFIT TO BURNING LARGER WOOD LOADS.

THE FOLLOWING GUIDELINES WILL ENSURE YOUR FIREPLACE BURNS BEAUTIFULLY WHILE MAINTAINING ITS DURABILITY:

**APPROXIMATE MAXIMUM LOG SIZE: 6" IN DIAMETER.**

**APPROXIMATE MAXIMUM LOAD: NO MORE THAN THE EQUIVALENT OF 3 LOGS 24" IN LENGTH.**

THIS WOOD LOAD IS MORE THAN SUFFICIENT TO FILL THE FIREBOX COMPLETELY WITH FLAMES AND PROVIDE A LARGE AMOUNT OF RADIANT HEAT.

THE RENAISSANCE LINEAR 50 SP WILL BURN WITH LARGE HIGH FLAMES REGARDLESS OF HOW THE WOOD IS PLACED IN THE UNIT. STACKING THE WOOD TIPI-STYLE AGAINST THE BACK OF THE FIREPLACE IS ACCEPTABLE BUT CAN COSMETICALLY DAMAGE THE FIREBOX REFRACTORY BRICKS IF YOU'RE NOT CAREFUL PLACING THE LOGS.

**IF ANY OF THE FOLLOWING SIGNS APPEAR IN YOUR FIREPLACE THEN YOU ARE OVER FIRING:**

- **THE REFRACTORY BRICKS ARE CRACKING AND DETERIORATING QUICKLY**
- **THE DOOR CHANNEL IS WARPED**

### *Creosote: Formation and Removal*

When wood is burned slowly, it produces tar and other organic vapors which combine with the expelled moisture from the wood to form creosote. The creosote vapors can condense in the relatively cool chimney of a slow burning fire. When ignited, this creosote makes an extremely hot fire in the chimney. The chimney should be inspected periodically during the heating season to see if a creosote build-up has occurred. If a significant layer of creosote has accumulated ( $\frac{1}{4}$ " or more), it should be removed to reduce the risk of chimney fire.

## **FEATURES**

### **UNIQUE DECORATIVE FIREPLACE**

The LINEAR 50 SP fireplace is a decorative fireplace that provides a magnificent view of the fire. It is defined as a fireplace (primarily for aesthetics) under the 2015 EPA (United States Environmental Protection Agency) regulation since it offers more than 500 square inches of pure fire viewing (682 square inches are visible). Small amounts of firewood can fill the firebox with large, beautiful flames in this exceptional fireplace.

### **OPTIONS**

The LINEAR 50 SP can be installed with two different chimney systems:

- 10" RIS: you will need to use the EO-10SPAP to be able to connect the 10" RIS chimney to your fireplace;
- 8" EXCEL: you will need to use the EO-08SPAP to be able to connect the 8" EXCEL chimney to your fireplace.

Be aware that the requirements for minimum chimney height are not the same for the two chimney systems. See the installation manual for more information and make sure you plan accordingly.

The Heat Redistribution System (HRS) is mandatory, and requires the installation of air intakes and outlets to allow air to circulate through the fireplace. Included with the fireplace are two air intake grills, two hot air outlets and two insulated flexible ducts with the outlet grill adapters. We also offer different styles of grills in option:

- If you would prefer one long linear grill for the hot air outlet (above the fireplace) instead of two rectangular outlet grills, we offer the Long Linear Outlet Grill (EO-LLG-OUT). Please refer to the installation instructions of the option for installation restrictions compared to the hot air outlet grills provided.
- You can also change the two rectangular intake grills for one Long Linear Intake Grill (EO-LLG-IN). Please refer to the installation instructions of the option for installation restrictions compared to the rectangular grills provided.
- Installations in an 8' ceiling require specific Air Outlet Grills to ensure adequate heat is vented from the fireplace. The Square Grills for 8' Ceiling (EO-SG) includes two 13" square grills and two outlet grill adapters that are required when the ceiling is only at 8'. Please refer to the installation instructions of the option for installation restrictions compared to the rectangular grills provided.

Vented gas logs sets are permitted, unvented gas logs are not. Go online to the Renaissance web site: [www.renaissancefireplaces.com](http://www.renaissancefireplaces.com) for more information.

**WARNING: THIS FIREPLACE HAS NOT BEEN TESTED WITH AN UNVENTED GAS LOG SET. TO REDUCE RISK OF FIRE OR INJURY, DO NOT INSTALL AN UNVENTED GAS LOG SET INTO THIS FIREPLACE. DO NOT INSTALL A GAS LIGHTER BECAUSE THE HEAT PRODUCED BY THE FIREPLACE MAY PERMANENTLY DAMAGE THE GAS LIGHTER**



---

## **PROPER FUEL**

It's true of all combustion appliances: the better the fuel, the better the burn. Let's look now at the characteristics of good fuel, so that you have the right information to provide your LINEAR 50 SP with the fuel that will make for easier and faster starting, cleaner and more beautiful burning, and reduced maintenance.

### **WHAT TO BURN AT ALL TIMES**

We recommend always burning your fireplace with split, dry, seasoned wood logs. Your fireplace will not burn cleanly or efficiently unless the wood is dry and well-seasoned. That means wood that has been cut, split, stored in a stack that is covered on top, but open on the sides for air flow for at least 6 months, but preferably for a year or two.

There are some simple indicators that wood is reasonably well-seasoned: loose or fallen bark, checking and splitting of the log ends, weight relative to known dry wood, ease in splitting, and how the wood burns (catches quickly and does not sizzle or drip water. But the best way to know that your wood is really well-seasoned is with a moisture meter. This is a simple gauge that measures moisture content. Exact accuracy is less important than establishing a benchmark. With an inexpensive meter, you can find a range (usually 20-25% or less) that gives you a way to have and meet an effective, reasonable standard for your firewood.

You can burn any well-seasoned species of wood. Softwoods dry quickly, start easily, and offer quick, bright burns. Hardwoods generally take longer to season and burn longer.

### **WHAT TO BURN OCCASIONALLY AND CAREFULLY**

Do not use construction scraps (e.g. 2x4 or plywood scraps) as your only supply of fuel as you can overheat and seriously damage the fireplace.

If you use densified wood logs, do not use more than two at a time and only with the firescreen closed. If you use more than two at a time, you will over fire the fireplace. Do not poke or stir the logs while they are burning.

If you use wax fuel logs (e.g. Duraflame), do not use more than one wax fuel log at a time and only with the firescreen closed. Using them with a closed door will lead to a dirty glass. Furthermore, if you use more than one at a time, you will over fire the fireplace. Do not poke or stir the log while it is burning.

Use only firelogs that have been evaluated for fireplace use. In Canada, they should meet the requirements of ULC/ORD-C127-M1990. Refer to the firelog warnings and caution markings prior to use.

**WARNING: BURN DRY WOOD ONLY.**



**DO NOT BURN DRIFTWOOD, TREATED WOOD, COAL, GARBAGE, OR PLASTIC.**

### **WHAT NEVER TO BURN**

Never use flammable liquids such as gasoline, kerosene, charcoal lighter fluids to start or refresh a fire in the LINEAR 50 SP.

Never burn driftwood, treated wood, coal, garbage, or plastic.

---

**GETTING STARTED:**

**WHAT TO KNOW AND DO BEFORE THE FIRST FIRING**

## **FIRST FIRES**

Be aware that there is a possibility of minor smoke and odor emitted into the house from oils and paint curing during the first few firings of the new fireplace. You may want to schedule first burns when doors and windows of the house can be opened if needed.

The refractory bricks will accumulate moisture after extended periods without burning. The first fire will burn off this excess moisture and may make it more difficult to light.

# OPERATING THE FIREPLACE

## **BEFORE FIREBUILDING**

### **GLASS DOOR OPERATION**

To open the glass door, simply grab the wood handle at the top right corner of the door and pivot it to the left to unlock the latch (see Figure 1). Then pull to open the door. There is a magnet at the bottom of the glass door. When the door is unlatched, you must pull hard enough to disengage it from the magnet.

The latch must be in the locked position during a fire for safety reasons.

**To minimize the risk of injuries or burns, do not touch any of the door parts other than the wooden knob with your bare hands while the fireplace is hot because they may be hot enough to cause serious burns.**

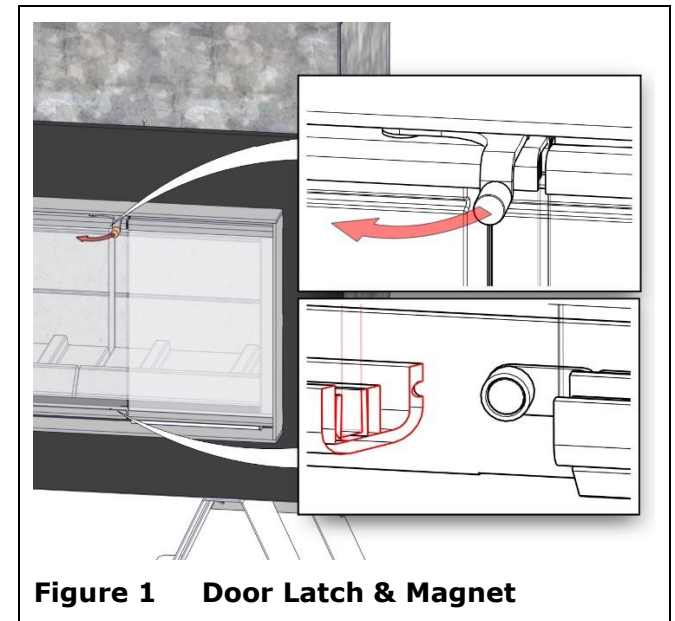
### **OUTSIDE AIR CONTROL**

The LINEAR 50 SP is designed to use outside air for combustion. The control for the outside air is located in the lower left corner of the fireplace facing. (see Figure 3).

Since it is inside the firebox, we recommend that you open the outside air before lighting a fire, and wait until the firebox cools down to close it.

**To minimize the risk of injuries or burns, do not touch the outside air control and the surrounding parts with your bare hands while the fireplace is hot.**

When the outside air control is pulled forwards and hooked over the pin, the outside air damper is open. When it is lifted off the pin, and recessed backwards the outside air damper is closed. Use a gloved hand to adjust the air control when the fireplace is hot.



**Figure 1 Door Latch & Magnet**



Even though the fireplace can be operated with the outside air damper closed, we recommend always using outside air for combustion when burning the fireplace. In some cases, this fresh air will also help compensate for negative pressure problems within the house (for example, when strong kitchen or bath fans compete with and reduce chimney draft in a tightly constructed house); however, it will not prevent the fireplace from smoking in a severely depressurized house.

This control should, however, be closed when the fireplace isn't burning to prevent cold air infiltration. It is sealed with a gasket.

## CHIMNEY DAMPER

The LINEAR 50 SP is equipped with a chimney damper that is located in the flue at the top of the fireplace. This chimney damper should only be used in either **fully open** or **fully closed** position. The chain for the chimney damper is inside the firebox at the front, just above the opening.

To close the chimney damper, pull the chain down and secure it in the slot to close the damper (see Figure 2). When closed, the damper virtually eliminates warm air flow up the chimney while preventing cold air from entering from outside. The damper is counter-balanced and will open by itself when you un-hook the damper chain. The hook portion of the damper allows the chain to be hung so that it remains out of view.

## BUILDING THE FIRE

Always start by opening the chimney damper and the outside air.

There are many ways to arrange your firewood to build a fire in your LINEAR 50 SP. Always build and maintain the fire well behind the ash step refractory bricks, never against or close to the glass door. In all cases, you want to start with a number of pieces of easily lit material, such as newspaper. Place pieces of crumpled or loosely knotted paper in the area where you will be placing the kindling and firewood. Then add a generous layer of kindling over the paper, placed with spaces between the pieces for air flow. Finally, stack 2-3 small-medium size logs over the kindling so that they are close or touching one another, but have small spaces between them for air flow. Then light the paper in a number of places and close the door. Once the fire is established, you can add more wood. The glass door should always be closed when the fire is burning.

Never use flammable liquids to start or refresh the fire.

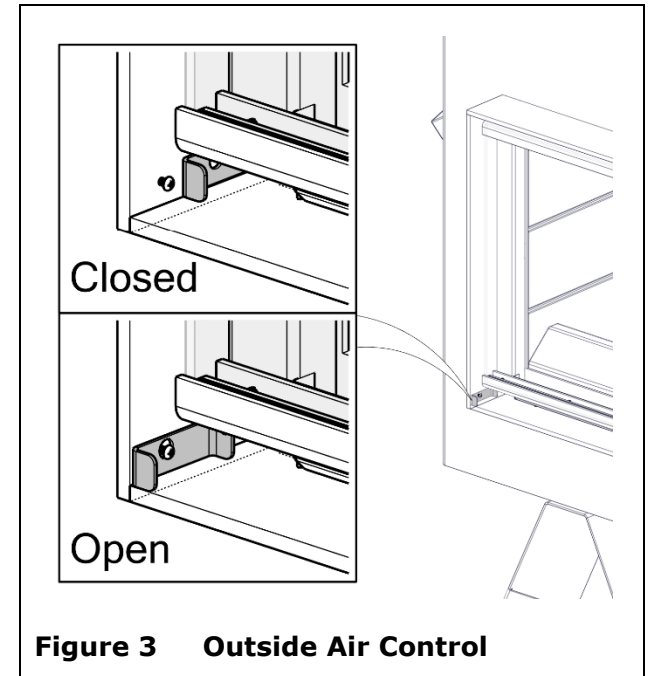


Figure 3 Outside Air Control

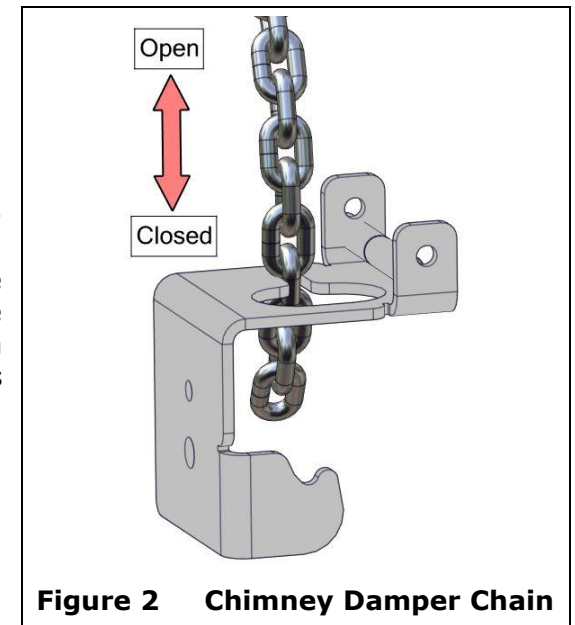


Figure 2 Chimney Damper Chain

## **CONTROLLING THE FIRE**

The LINEAR 50 SP fireplace is designed to provide warm radiant heat. Although it does not come with a draft control, you will find that you can control the intensity of the fire and the quantity of flames quite well by varying the size and placement of the logs.

Make sure to always lock the door when a fire is burning.

For a small fire, load 3 to 4 small logs (3" diameter).

For a large fire, load 4 to 5 small-medium logs (5" diameter).

Even though the firebox is quite big, you will soon discover that it is unnecessary to load a lot of wood to get magnificent flames. Be careful not to overload your fireplace, you will risk over firing your fireplace and overheating the room in which the fireplace is located. You will get greater satisfaction looking at a couple of small logs burning.

 **WARNING: PLEASE READ THE WARNING RELATED TO OVERFIRING THE FIREPLACE IN THE "GETTING STARTED: WHAT TO KNOW AND DO BEFORE THE FIRST FIRING - IMPORTANT SAFETY AND OPERATION PRECAUTIONS" SECTION OF THIS MANUAL.**

## **REFUELING**

As the fire burns down and you want to add more wood, begin by having the firewood you intend to add in a convenient location near the fireplace. Select an appropriate fireplace tool to arrange remaining burning wood or to spread hot coals where you intend to place the new fuel. It is always recommended to use heavy fireplace gloves for the refueling process.

**The door should be opened slowly to keep smoke from spilling into your room. If you have a problem with smoke spillage, check to see that all kitchen and bathroom fans have been shut off. They can cause negative pressure in the house which pulls smoke out of the fireplace.**

---

# MAINTENANCE

## ROUTINE TASKS

### **DISPOSAL OF ASHES**

Remove the ashes before they become too deep, i.e., before you have a spillage problem over the ash step refractory bricks.

The ashes should be placed in a metal container with a tight-fitting lid. Any hot coals embedded in the ashes can stay very hot very long. Therefore the closed container of ashes should be placed on a non-combustible floor or on the ground, well away from all combustible materials pending final disposal. If the ashes are disposed of by burial, or otherwise locally dispersed, they should be retained in the closed container until all cinders are thoroughly extinguished.

### **GENERAL CLEANING**

Any black painted portion of the fireplace can be cleaned with a soft damp cloth. Use a mild detergent and water. Do not use abrasive cleaners.

### **PAINT**

You can touch up the metal areas of the face of the LINEAR 50 SP with *Stove Bright* Metallic Black high temperature paint which is available at most fireplace dealers. Follow the directions outlined on the spray can. **DO NOT** attempt to paint the fireplace while it is still warm. Keep the spray can away from any source of heat or open flame. Ensure that there is adequate ventilation in the room from the time you start painting until the paint is dry. *Stove Bright* is available in a wide range of colors if you want to change the color of your fireplace.

We recommend that you take the time to protect or remove any items that you do not want to paint such as the door glass, the materials surrounding the fireplace, the hearth extension (the non-combustible finishing material on the floor in front of the fireplace), etc.

### **GLASS CLEANING**

Depending on how you burn your LINEAR 50 SP, temperatures may not always be hot enough to keep the glass perfectly clean. Having a good hot fire regularly usually cleans off most of the deposits that have accumulated. Remember: the dryer the wood and the hotter the fire, the cleaner the glass. A word of caution: although heat will not break the glass, impact can. Be careful not to hit the glass.

**WARNING:** NEVER CLEAN THE GLASS WHILE IT IS HOT; A SERIOUS BURN CAN RESULT. NEVER CLEAN THE GLASS WITH AN ABRASIVE CLEANER. USE ONLY A CLEANER RECOMMENDED BY YOUR DEALER. THERE ARE A NUMBER OF EXCELLENT WOOD STOVE GLASS CLEANERS AVAILABLE WHICH ARE FAR SUPERIOR TO REGULAR GLASS AND OVEN CLEANERS.



## **GASKETS**

The design of the fireplace requires many gaskets to get just the right amount of combustion air into the firebox and keep all three glasses clean (see Figure 4).

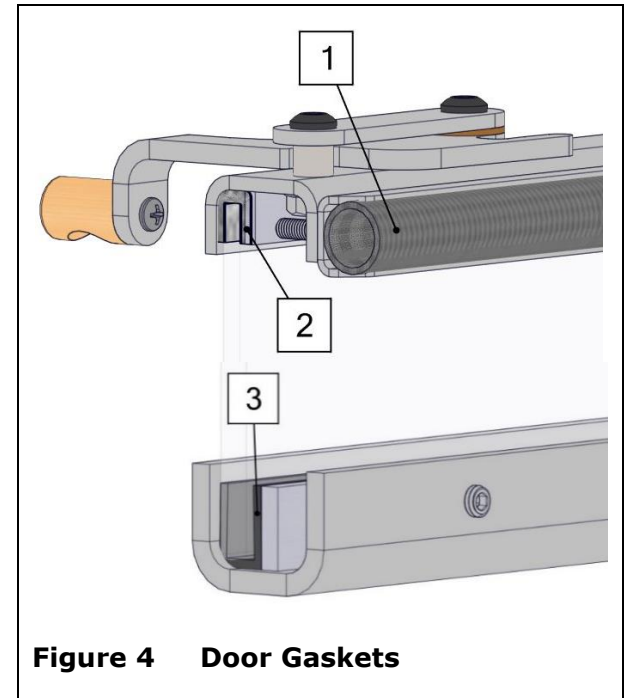
1. There is a round fiberglass gasket on the back of the top of the door held in place by clips in the door frame. There is also a small screw holding the extremity close to the hinge.

This gasket will need to be removed if the door glass needs to be changed. If the gasket is still in good condition, it can be reinstalled after changing the door glass.

2. There is a flat fiberglass gasket wrapped around the top of the glass in the door. If you remove or change the door glass, this gasket will need to be changed as well.
3. There are high temperature silicone gaskets wrapped around the top and bottom of each side glasses as well as the bottom of the door glass. If you ever need to remove or change any of the glasses, this gasket will need to be changed as well.

Any of these gaskets may need to be changed at one point in time depending on how careful you are at not allowing the fire in front of the ash step refractory bricks. If at any point, you see a change in the flame pattern (flames coming close to the glass, burning more on one side, or simply not burning nicely), you may need to change one of the gaskets.

There is no gasket at the bottom of the glass door.



**Figure 4 Door Gaskets**

## **ADJUSTING THE DOOR LATCH**

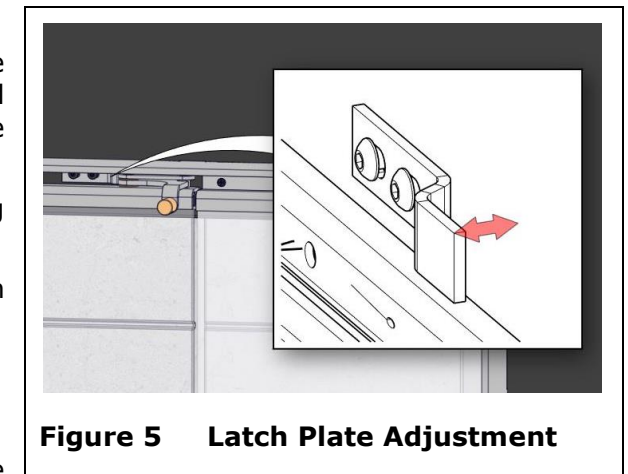
The door latch should close with enough resistance to keep it latched, but not so much resistance that it is difficult to close. The latch plate can adjust the tightness of the door latch. It is located just below the top lintel behind the door latch. Open the door to access the latch plate (see Figure 5).

To tighten the latch: using a small hammer, gently tap on the extremity of the latch plate to bring it closer to the facing of the fireplace.

To loosen the latch: using a big flat screw driver, slip the tip behind the extremity of the latch plate to pull it away from the facing of the fireplace.

## **CHIMNEY CLEANING**

A fireplace as clean burning as the LINEAR 50 SP does not produce a lot of creosote, but the chimney should nevertheless be inspected for creosote buildup after a couple of months of using it. This will allow you to visualize the amount



**Figure 5 Latch Plate Adjustment**

of creosote that is accumulating and adjust the frequency of checking the chimney accordingly. At least an annual inspection is recommended. A buildup of ¼" or more calls for cleaning by a chimney professional. Depending on how you burn your LINEAR 50 SP, the chimney may need cleaning every year or every other year.

## REPLACEMENT PARTS

A complete list of replacement parts is available on our web site: [www.renaissancefireplaces.com](http://www.renaissancefireplaces.com).

## LISTING LABEL

The listing label has been placed inside the firebox, under the insulation below the front right refractory brick. Take the time to take note of the fireplace serial number for future reference. The serial number also appears on a label on your owner's manual bag.


**RENAISSANCE LINEAR 50 SP**  
LISTED FACTORY FIREPLACE AND SPACE HEATER

**COMPONENTS REQUIRED FOR INSTALLATION:**

- ◆ USE 4 IN. OR 5 IN. (102 OR 130 MM) DIAMETER FLEXIBLE DUCT AND COMBUSTION AIR INLET ASSEMBLY.
- ◆ USE THE ICC MODEL 10" (254 MM) RIS OR 8" (203 MM) EXCEL CHIMNEY AND LISTED COMPONENTS AS PER INSTALLATION INSTRUCTIONS.
- ◆ TWO GRAVITY VENTS SYSTEM AND TWO CIRCULATING AIR INTAKE MUST BE INSTALLED IN ACCORDANCE WITH THE MANUFACTURER'S INSTALLATION INSTRUCTIONS MANUAL.
- ◆ REFER TO MANUFACTURER'S INSTALLATION AND OPERATING INSTRUCTIONS FOR OPTIONAL COMPONENTS.
- ◆ INSTALL AND USE ONLY IN ACCORDANCE WITH THE MANUFACTURER'S INSTALLATION AND OPERATING INSTRUCTIONS. ◆ DO NOT OBSTRUCT COMBUSTION AIR INLET. ◆ A FIREPLACE INSTALLED WITHOUT OUTSIDE PROVISION AIR COULD STARVE OTHER FUEL BURNING APPLIANCES OF COMBUSTION, VENTILATION AND DILUTION AIR AS A RESULT OF FIREPLACE OPERATION. ◆ DO NOT USE A FIREPLACE INSERT OR OTHER PRODUCTS NOT SPECIFIED FOR USE IN THIS PRODUCT. ◆ COMBUSTIBLE MATERIALS OTHER THAN MANTEL SHELF ARE NOT PERMITTED ON FACE OF UNIT. ◆ COMBUSTIBLE FLOOR MUST BE PROTECTED AS SPECIFIED IN THE INSTALLATION INSTRUCTION MANUAL. ◆ GAS LOG SHALL BE CERTIFIED FOR THE APPLICATION. THE CHIMNEY DAMPER SHALL BE PERMANENTLY SECURE IN AN OPEN POSITION TO EFFECTIVELY VENT THE APPLIANCE. ◆ WARNING: THIS FIREPLACE HAS NOT BEEN TESTED WITH AN UNVENTED GAS LOG SET. TO REDUCE RISK OF FIRE OR INJURY, DO NOT INSTALL AN UNVENTED GAS LOG SET INTO FIREPLACE. ◆ REPLACE GLASS ONLY WITH 5MM CERAMIC GLASS. ◆ OPERATE ONLY WITH FIREBRICKS IN PLACE. ◆ FOR USE WITH SOLID WOOD FUEL ONLY.
- ◆ OPERATE THIS FIREPLACE WITH THE DOOR CLOSED.
- ◆ DO NOT OVERFIRE UNIT.


**DO NOT REMOVE THIS LABEL**  
TESTED TO: UL-127 / ULC-S610

MINIMUM CLEARANCES TO COMBUSTIBLE MATERIALS	
SIDEWALL	24 IN. / 610 MM FROM FIREPLACE OPENING
HEIGHT OF MANTEL SHELF 0-12 IN. (0-305 MM DEEP)	14 IN. / 355 MM FROM FIREPLACE OPENING
UNIT TOP, BACK, SIDES AND BOTTOM	0 IN. / 0 MM TO SPACERS



936304

NUMBER:



SERIAL NO. / NO DE SÉRIE

DATE MANUFACTURED / DATE DE FABRICATION

MADE IN CANADA BY  
FABRIQUÉ AU CANADA PAR  
ICC, 400 J.F.KENNEDY, ST- JEROME, QC,  
CANADA, J7Y 4B7


**RENAISSANCE LINÉAIRE 50 SP**  
FOYER PRÉFABRIQUÉ ET APPAREIL DE CHAUFFAGE HOMOLOGUÉ

**PIÈCES REQUISES POUR L'INSTALLATION:**

- ◆ TUYAU FLEXIBLE DE 4" OU 5" (102 OU 130 MM) DE DIAMÈTRE ET PRISE D'ENTRÉE D'AIR.
- ◆ UTILISER UNE CHEMINÉE RIS 10" (254 MM) OU EXCEL 8" (203 MM) DE DIAMÈTRE D'ICC ET SES COMPOSANTS HOMOLOGUÉS SELON LES INSTRUCTIONS D'INSTALLATION. ◆ DEUX ÉVÉNEMENTS PAR GRAVITÉ ET DEUX ENTRÉES D'AIR AMBIANT DOIVENT ÊTRE INSTALLÉS SELON LES INSTRUCTIONS DU LIVRET D'INSTALLATION DU FABRICANT.
- ◆ VOIR LES INSTRUCTIONS D'INSTALLATION DU FABRICANT POUR LES COMPOSANTS OPTIONNELS.
- ◆ INSTALLER ET UTILISER SELON LES INSTRUCTIONS D'INSTALLATION ET DE FONCTIONNEMENT DU FABRICANT. ◆ NE PAS OBSTRUER L'ENTRÉE D'AIR DE COMBUSTION. ◆ D'AUTRES APPAREILS DE CHAUFFAGE À COMBUSTIBLE RISQUERAIENT DE MANQUER D'AIR DE COMBUSTION, DE VENTILATION ET DE DILUTION SI LE FOYER FONCTIONNE SANS ENTRÉE D'AIR EXTÉRIEUR. ◆ NE PAS UTILISER D'ENCASTRABLE OU AUTRES PRODUITS NON SPÉCIFIÉS POUR UTILISATION AVEC CE PRODUIT. ◆ LES MATÉRIEAUX COMBUSTIBLES AUTRES QUE LA TABLETTE D'UN MANTEAU DE CHEMINÉE NE SONT PAS PERMIS SUR LA FAÇADE DE L'APPAREIL. ◆ UN PLANCHER COMBUSTIBLE DOIT ÊTRE PROTÉGÉ SELON LES SPÉCIFICATIONS DU LIVRET D'INSTRUCTIONS. ◆ LES BÛCHES AU GAZ DOIVENT ÊTRE CERTIFIÉES POUR L'APPLICATION. LE RÉGISTRÉ DE LA CHEMINÉE DOIT ÊTRE FIXÉ DE FAÇON PERMANENTE EN POSITION OUVERTE AFIN D'ASSURER LA VENTILATION EFFICACE DE L'APPAREIL. ◆ AVERTISSEMENT: CE FOYER N'A PAS ÉTÉ TESTÉ AVEC UNE BÛCHE À GAZ SANS ÉVENT. POUR RÉDUIRE LES RISQUES DE FEU ET DE BLESSURES, NE PAS INSTALLER DE BÛCHE À GAZ SANS ÉVENT DANS CE FOYER.
- ◆ LE REMPLACEMENT D'UNE VITRE DOIT SE FAIRE AVEC UNE VITRE CÉRAMIQUE DE 5MM D'ÉPAISSEUR SEULEMENT. ◆ FAIRE FONCTIONNER UNIQUEMENT AVEC LES PIERRES RÉFRACTAIRES EN PLACE. ◆ POUR UTILISATION AVEC DU BOIS SEULEMENT.
- ◆ FAIRE FONCTIONNER LE FOYER AVEC LA PORTE FERMÉE.
- ◆ NE PAS SURCHAUFFER L'APPAREIL.

**NE PAS ENLEVER CETTE ÉTIQUETTE**  
MIS À L'ESSAI SELON LES NORMES: UL-127 / ULC-S610

DÉGAGEMENTS MINIMAUX AUX MATIÈRES COMBUSTIBLES	
MUR DE CÔTÉ	24 PO. / 610 MM DE L'OUVERTURE DU FOYER
HAUTEUR DE LA TABLETTE DU MANTEAU DE CHEMINÉE	14 PO. / 355 MM DE L'OUVERTURE DU FOYER
DESSUS, ARRIÈRE, CÔTÉS ET BASE DE L'APPAREIL	0 PO. / 0 MM DES CALES





## WARRANTY

### 30 YEAR LIMITED WARRANTY FOR RENAISSANCE FIREPLACES™

All **Renaissance Fireplaces™** models are warranted against defects in material and workmanship for a period of 30 years, subject to the following conditions:

During the first year **Renaissance Fireplaces™** will repair or replace, at our option, any parts which upon examination by an authorized **Renaissance Fireplaces™** representative, are found to be defective, except the parts listed in the EXCLUSIONS portion of this warranty. **Renaissance Fireplaces™** will also pay reasonable labor costs for the repair work.

During the second through fifth years **Renaissance Fireplaces™** will repair or replace, at our option, any parts which upon examination by an authorized **Renaissance Fireplaces™** representative, are found to be defective, except the parts listed in the EXCLUSIONS portion of this warranty. **Renaissance Fireplaces™** shall not be responsible for any labor costs associated with this repair work.

During the sixth through thirtieth years **Renaissance Fireplaces™** will provide replacement parts, if available, at 50% of the published retail price, except for the parts listed in the EXCLUSIONS portion of this warranty. **Renaissance Fireplaces™** shall not be responsible for any labor costs associated with this repair work.

#### EXCLUSIONS:

- Glass.
- Damage due to normal wear and tear, such as paint discoloration, worn gaskets, eroded or cracked rigid insulation panels or firebox lining components.
- Repairs or replacements necessitated by vandalism, neglect, abuse, over-firing, improper fuel or fuel loads, or failure to adequately service the unit, as stated in the owner's manual.
- Repairs or replacements (particularly charges for travel and labor) not authorized by **Renaissance Fireplaces™** in advance.

#### LIMITATIONS:

- All items found to be defective will be replaced or repaired upon return of the defective part to an authorized **Renaissance Fireplaces™** dealer. **Renaissance Fireplaces™** will not be responsible for freight costs related to shipping replacement parts.
- Any complete fireplace, or part thereof, that is replaced or serviced under this warranty, will be warranted for a period not exceeding the remaining term of the original warranty.
- This warranty is not transferable.
- This warranty does not apply to damage to the appliance while in transit.

- 
- This warranty does not apply if the installation does not conform to the installation requirements in the installation and owner's manuals.
  - **Renaissance Fireplaces™** is free of liability for any damages caused by the appliance, as well as material and labor charges incurred in the removal or re-installation of any **Renaissance Fireplaces™** fireplace under this warranty. Incidental or consequential damages are not covered by this warranty.
  - The remedies set forth herein are exclusive, and the liability of the seller shall not exceed the price of the fireplace or part thereof upon which the liability is based.
  - This warranty is expressly in lieu of all other warranties expressed or implied, including the warranties of merchantability and fitness for use and all other obligations or liabilities on the part of **Renaissance Fireplaces™**.